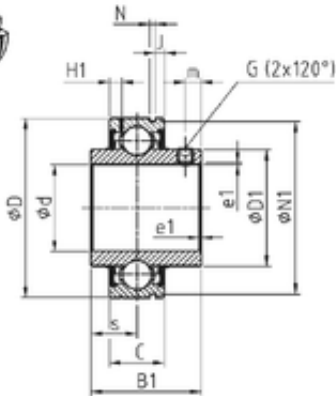




# NEI Manufacturing India Private LTD.



25,4 mm x 52 mm x 34 mm SNR CUC205-16  
deep groove ball bearings

Bearing No. CUC205-16

Size	25.4x52x17 mm
Bore Diameter	25,4 mm
Outer Diameter	52 mm
Width	17 mm
d	25,4 mm
D	52 mm
B1	34 mm
C	17 mm
e	0,6 mm
a	3,175 mm
m	5 mm
s	14,3 mm
D1	34 mm
H1	4,1 mm
J	3,2 mm
N	1,35 mm
N1	49,73 mm
Thread (G) - 1/4-28UNF	1/428UNF
Weight	0,21 Kg
Basic dynamic load rating (C)	14 kN
b	1.35 mm
B	34 mm
C1	4.1 mm
G	1/4-28UNF
r	0.6

CUC205-16 Bearing 2D drawings and 3D CAD models



## NEI Manufacturing India Private LTD.

S	14.3 mm
SW	3.18 mm
C0	7.88 kN
T min.	-20 ° C
T max.	100 ° C
Recommended tightening torque for set screw	3.7 Nm