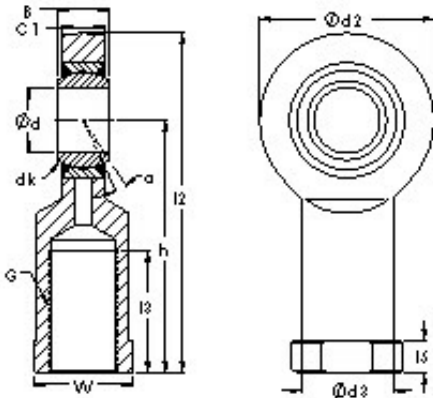




# NEI Manufacturing India Private LTD.



## AST SIBP14S plain bearings

Bearing No. SIBP14S

Bore Diameter	14 mm
Width	19 mm
Bearing Type - steel-on-bronze	steelonbronze
Bore Dia (d)	14.0000
Width (B)	19.0000
Radius (min) (rs)	0.300
Dynamic Load Rating (Cr)	17,000
Static Load Rating (Cor)	20,000
Spherical Diameter (dk or Dk)	25.400
Mis-alignment Angle (a deg.)	16
Thread Length (l1)	27.000
Bore Center to End of Rod (h)	57.000
Rod Overall Length (l2)	74.000
Rod End Thickness (C1)	13.500
Bore Center to Body (l7)	16
Thread Size (G)	M14
Rod End Width (d2)	34.000
Body Dia. (d3)	20.000
Body End Dia. (d4)	25.000
Body End Width (l5)	8.000
Body End Flats (W)	22.000
Weight (g)	161.00
Material - Body - Carbon steel-zinc plated, Ball -	Bronze

SIBP14S Bearing 2D drawings and 3D CAD models



## NEI Manufacturing India Private LTD.

Hardened chrome steel- chrome plated, Liner	
--	--