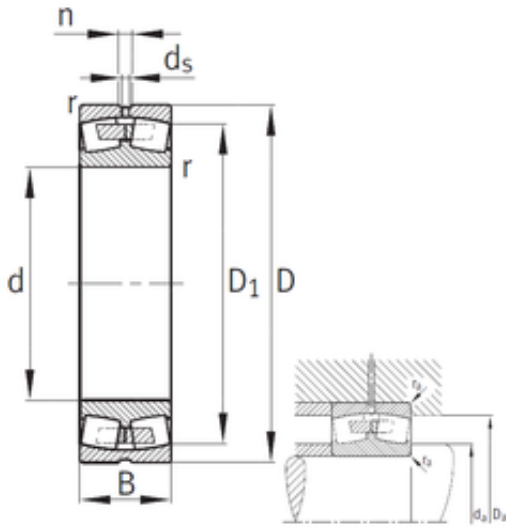




NEI Manufacturing India Private LTD.



260 mm x 400 mm x 104 mm FAG 23052-MB spherical roller bearings

Bearing No. 23052-MB

23052-MB Bearing 2D drawings and 3D CAD models

Size	260x400x104 mm
Bore Diameter	260 mm
Outer Diameter	400 mm
Width	104 mm
d	260 mm
D	400 mm
B	104 mm
C	104 mm
n	17,7 mm
r min.	4 mm
D1	357,2 mm
da min.	274,6 mm
Da max.	385,4 mm
ra max.	3 mm
d5	9,5 r/min
Weight	49,3 Kg
Basic dynamic load rating (C)	1500 kN
Basic static load rating (C0)	2800 kN
Fatigue load limit (Pu)	154
Reference speed	1 170 r/min
Limiting speed	1 300 r/min
Calculation factor (e)	0,26
Calculation factor (Y0)	2,58
Calculation factor (Y1)	2,64