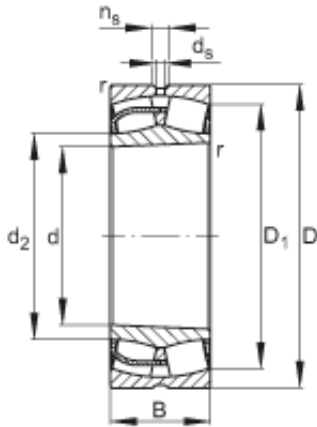




NEI Manufacturing India Private LTD.



280 mm x 420 mm x 106 mm FAG 23056-E1-K spherical roller bearings

Bearing No. 23056-E1-K

23056-E1-K Bearing 2D drawings and 3D CAD models

Size	280x420x106 mm
Bore Diameter	280 mm
Outer Diameter	420 mm
Width	106 mm
d	280 mm
D	420 mm
B	106 mm
D ₁	379,2 mm
D _{a max}	405,4 mm
d ₂	314,3 mm
d _{a min}	294,6 mm
d _s	9,5 mm
n _s	17,7 mm
r _{a max}	3 mm
r _{min}	4 mm
m	49,3 kg / Weight
C _r	1780000 N / Dynamic load rating (radial)
e	0,22
Y ₁	3,01
Y ₂	4,48
C _{0r}	2850000 N / Static load rating (radial)
Y ₀	2,94



NEI Manufacturing India Private LTD.

n_G	1740 1/min / Limiting speed
n_B	1100 1/min
C_{ur}	255000 N / Fatigue limit load, radial